

Carbon C20

Unboxing and connect.

Introduction

Carbon C20 is an Android based terminal that can be connected to either ethernet via a serial RJ45 or USB cable. Carbon C20 can be fitted with a range of accessories, including lockable terminal stand and desktop cradle for secure installation.

This document contains two sets of instructions, one on how to unbox and install a network configured terminal and one on how to unbox and connect a USB configured terminal.

Introduction	2
1 Terminal overview	4
2 Network configured terminal.	5
2.1 Unboxing	5
2.2 Power on your device	6
2.4 Connect your terminal to a network.	8
2.4.1 Standard network connection	8
3 USB configured terminal.	10
3.1 Unboxing	10
3.2 Power on your device	11

Version history

Version	Date	Notes
1.0	2026-04-27	Document created

1 Terminal overview

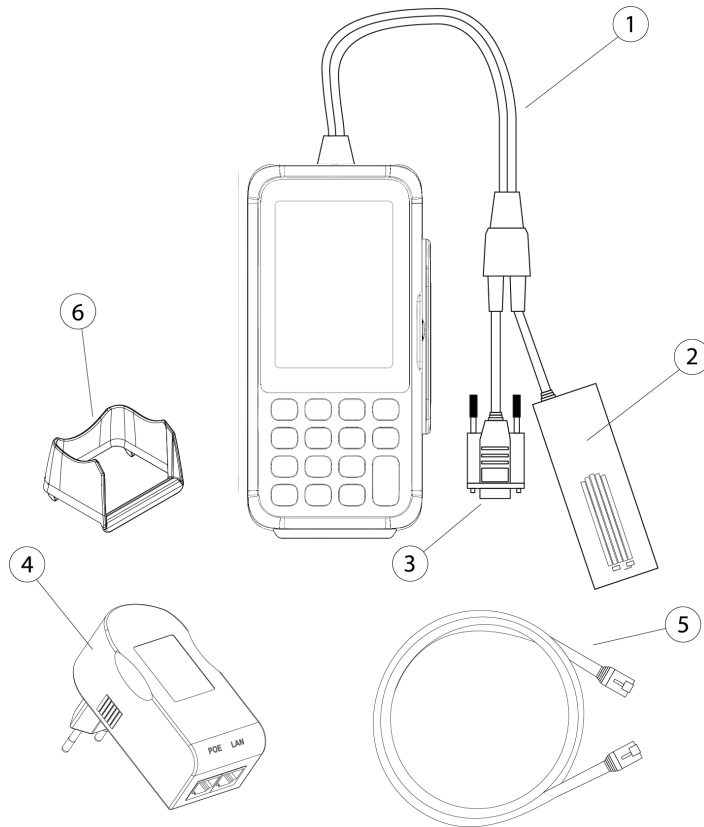


- 1 3.5" TFT Color Display, multi-touch screen, contactless card reader
- 2 Magnetic Card Reader
- 3 Keypad
- 4 Chip card reader
- 5 Abort button
- 6 Edit or back button
- 7 Approval or select button
- 8 Back of the terminal with connection of cabling and identification label

2 Network configured terminal.

2.1 Unboxing

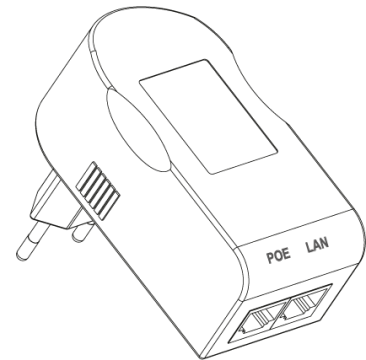
The following components is included with your terminal.



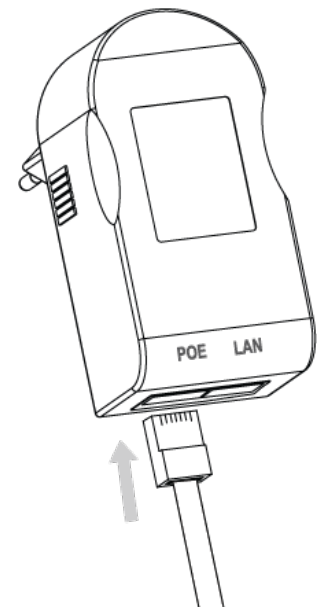
- 1 Payment terminal with connected communication cable
- 2 Network card (part of the communication cable)
- 3 Serial interface (part of the communication cable)
- 4 PoE Power injector (primary power source)
- 5 Ethernet cable
- 6 Pin shield

2.2 Power on your device

Find the PoE injector. Also be called power supply.



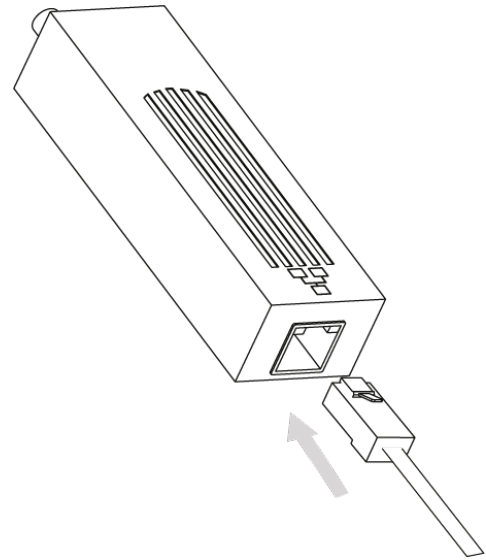
Connect one end of the included ethernet cable into the port marked with POE.




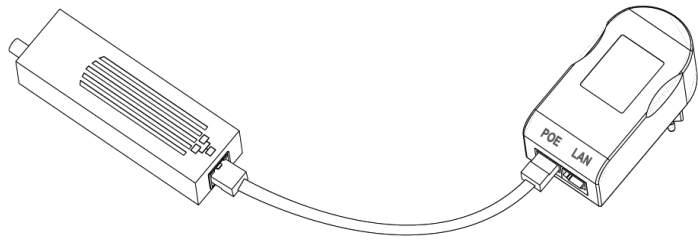
Find the network card that is attached to the main communication cable.



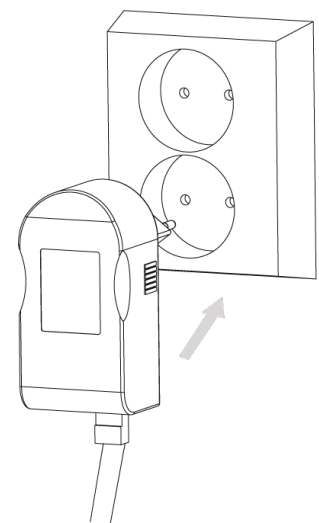
Now connect the open end of the previously connected ethernet cable and connect this to the port on the network card.



Your assembly should look like the left illustration if done correctly. The ethernet cable is connected between the POE port on the injector and the port with the symbol  on the network card.



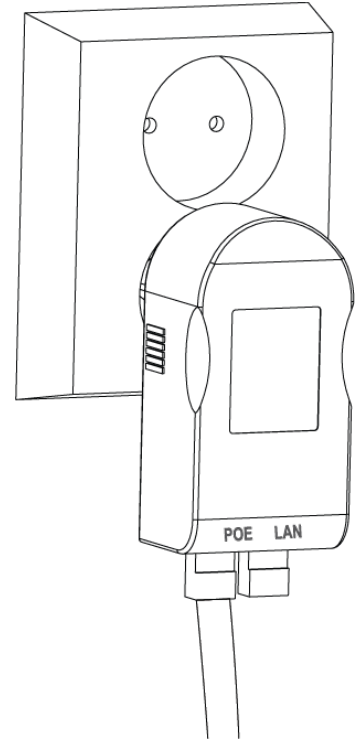
Now plug the PoE injector (power adapter) into a wall outlet. The terminal will automatically start once it detects power.



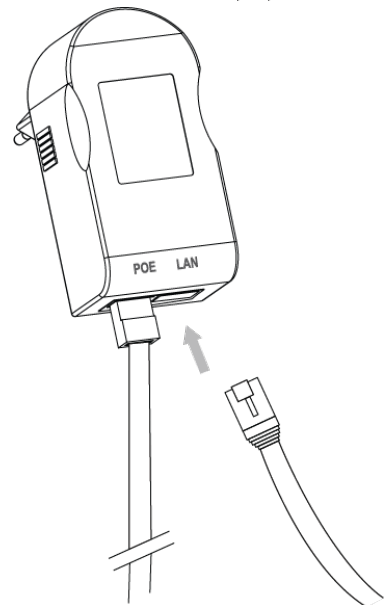
2.4 Connect your terminal to a network.

2.4.1 Standard network connection

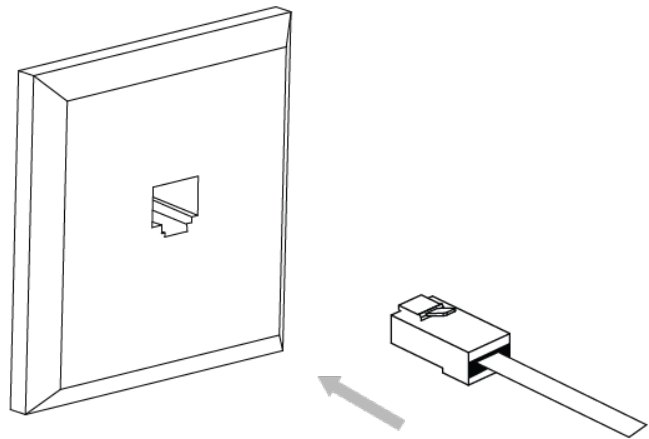
Find the previously installed PoE injector (power adapter) that you plugged in to a wall outlet.



Now, connect an ethernet cable (not included) to the free port on the PoE injector marked with the text LAN

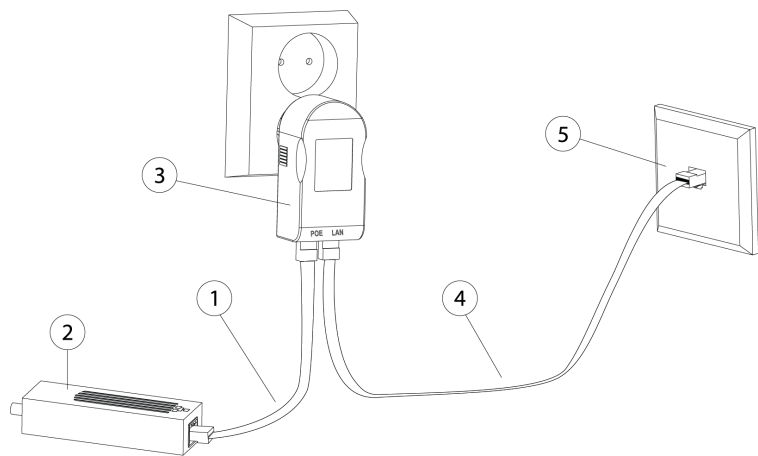


Connect the other end of the now installed ethernet cable to a free ethernet port on your local network.



This illustration shows a complete installation of an ethernet connected terminal. If you have followed all the instructions from Step 1, Step 2 and Step 3 then yours should look the same.

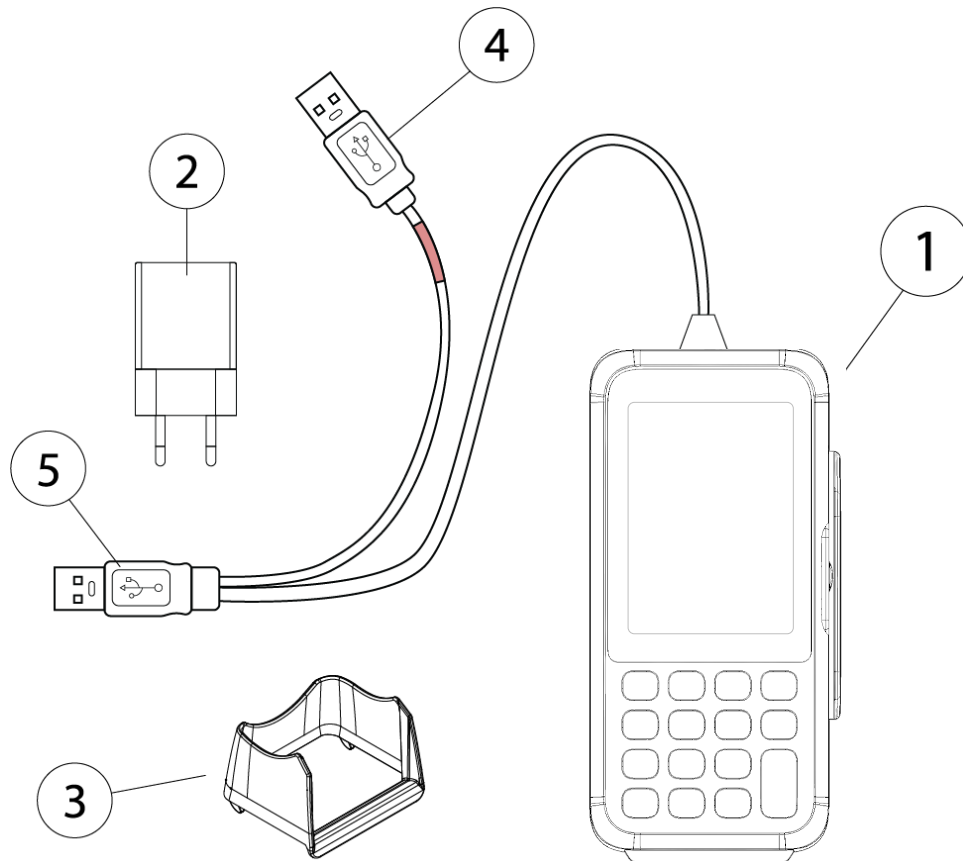
You should now have one cable (1) connected between the terminal network card (2) and the POE labeled port on the PoE injector (3). You should also have another cable (4) (not included) connected between the PoE injector (3) port labeled LAN and a network outlet (5)



3 USB configured terminal.

3.1 Unboxing

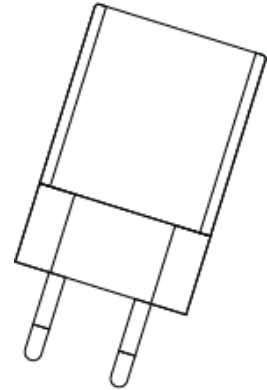
The following components is included with your terminal.



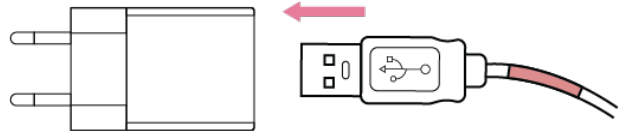
- 1 Payment terminal with connected communication cable
- 2 USB power plug
- 3 Pin shield
- 4 USB connector with red marking (power cable)
- 5 Main USB connector

3.2 Power on your device

Find the USB power plug.



Connect the USB cable with the red marking into the USB power plug.



Now insert the power plug into a power outlet. The terminal will automatically start once it detects power.

